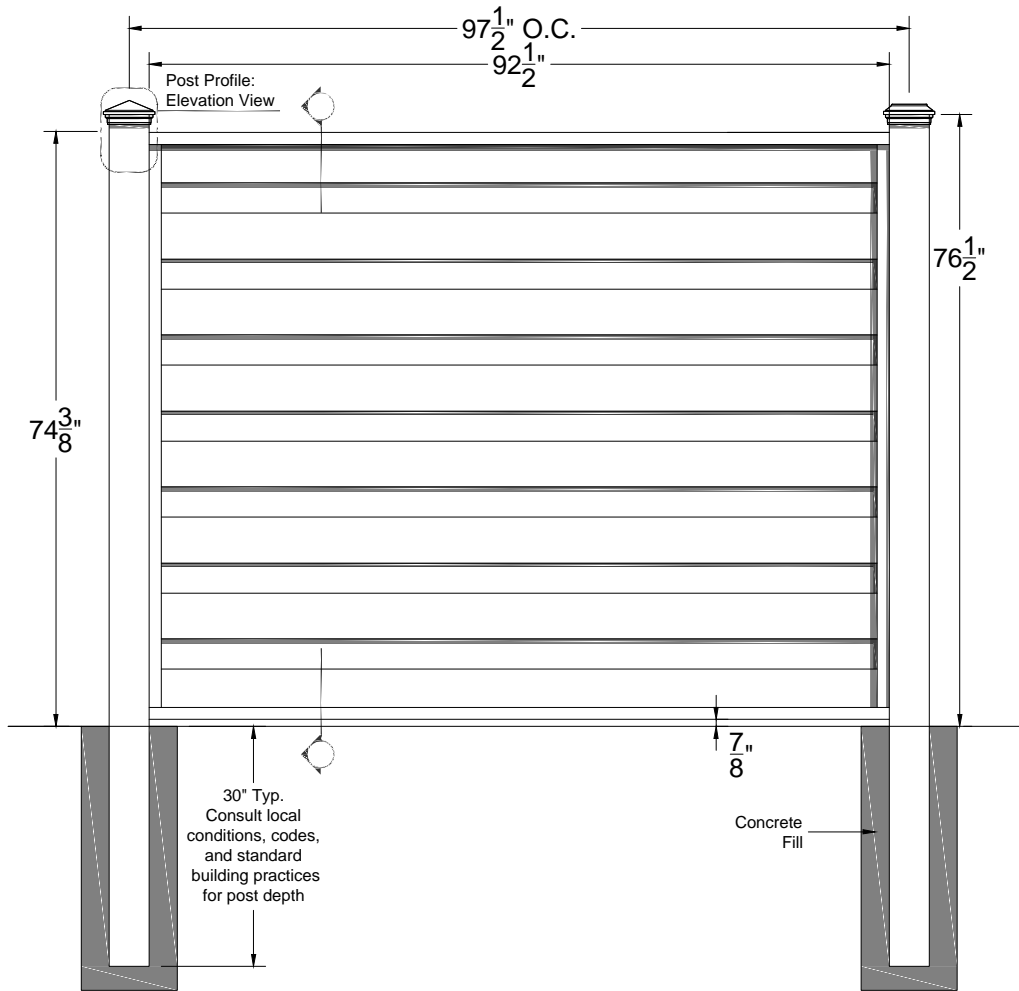


Trex® Horizons Composite Fencing

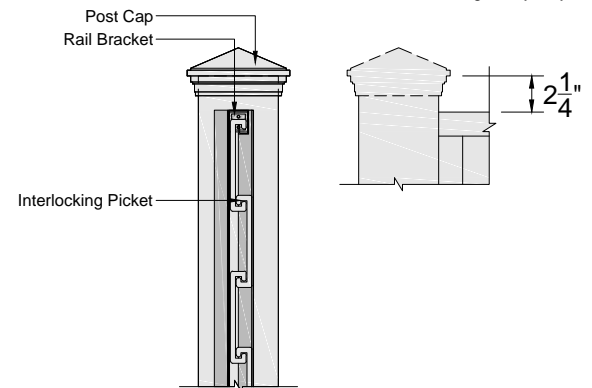
ARCHITECTURAL DRAWING:
TREX HORIZONS FENCING
PROFILE VIEW



**BILL OF MATERIAL FOR A
6'H x 8'W SECTION OF
HORIZONS FENCINGS**

COMPONENTS	QUANTITY	LENGTH
Post Cap: Pyramid, Flat, or Crown	1	
5" x 5" Post	1	106" *
1.5" x 1.25" Horizontal Rail	2	92"
1"x5.75" Interlocking Picket	15	91" *
0.875" x 1.5" Vertical Back Rail	2	73 1/2"
0.5" x 1.5" Vertical Front Rail	2	73 1/2"
1.25" x 1.125" Horizontal Top Rail Bracket	2	
#8x3/4 Hex Washer Head Self-Tapping Screw	8	
#8x5/8 Hex Washer Head Screw	38	
#12 1" Hex Washer Head Screw	4	

* Length may vary



NOTES:

1. INSTALLATION TO BE COMPLETED PER MANUFACTURER'S SPECIFICATION.
2. THIS DRAWING IS PROVIDED FOR PLANNING PURPOSES. REFER TO MANUFACTURER'S INSTALLATIONS FOR CONSTRUCTION DETAILS.
3. REFER TO MANUFACTURER'S WEBSITE FOR PRODUCT INFORMATION.
4. DRAWING NOT TO SCALE.

TREX HORIZONS FENCING PROFILE VIEW

160 EXETER DR, WINCHESTER, VA 22603
1-800-BUY-TREX / WWW.TREXFENCING.COM