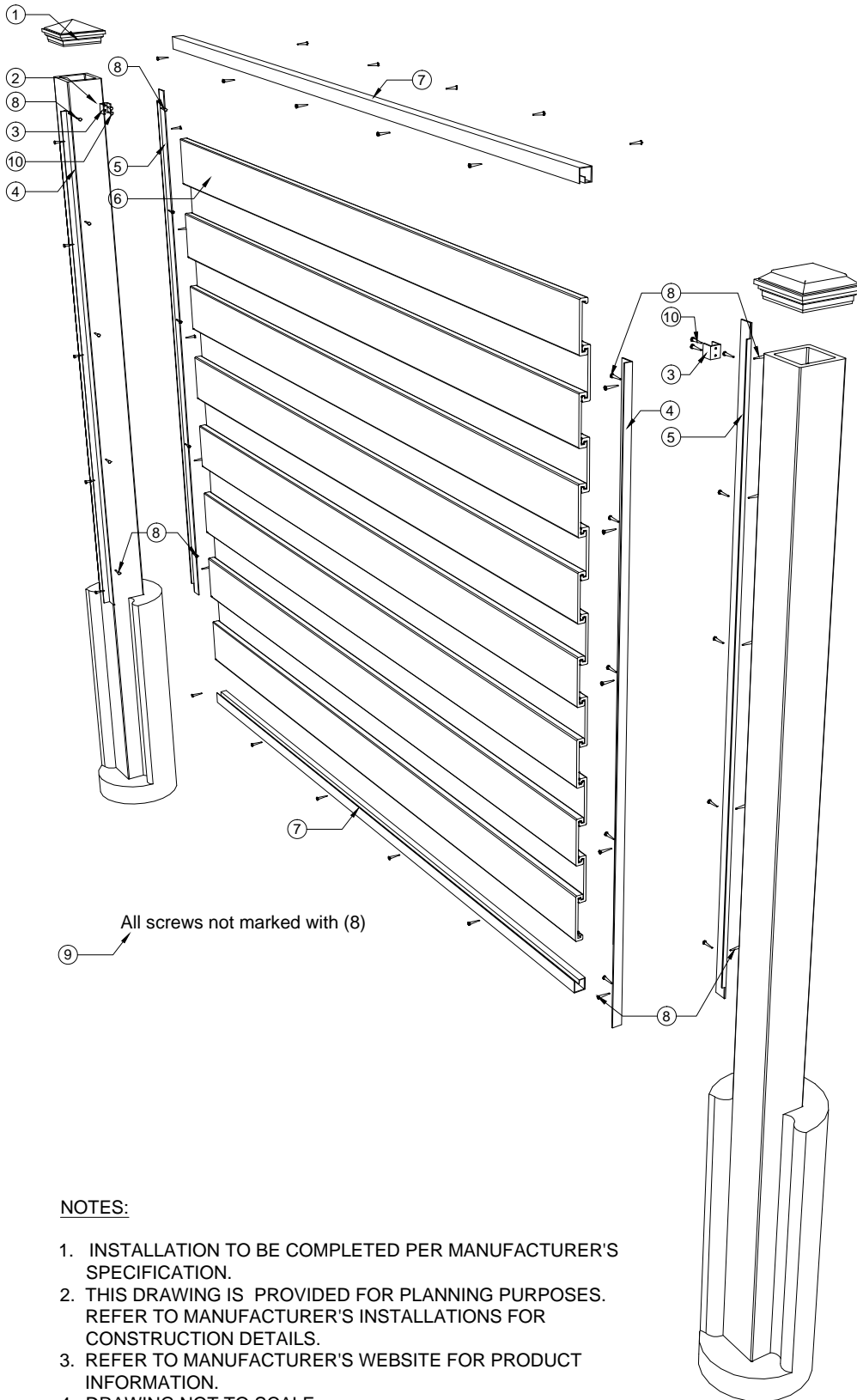


Trex® Horizons Composite Fencing

ARCHITECTURAL DRAWING:
TREX HORIZONS FENCING
EXPLODED VIEW



| BILL OF MATERIAL FOR AN 8' SECTION OF HORIZONS FENCING | | | |
|--|---|----------|---------|
| ITEM No. | DESCRIPTION | QUANTITY | LENGTH |
| 1 | Post Cap | 1 | |
| 2 | Fence Post | 1 | 106" |
| 3 | Horizontal Top Rail Bracket | 2 | |
| 4 | Vertical Front Rail | 2 | 73 1/2" |
| 5 | Vertical Back Rail | 2 | 73 1/2" |
| 6 | Interlocking Pickets | 15 | 91" |
| 7 | Horizontal Rail | 2 | 92" |
| 8 | #8x3/4 Hex Washer Head Self-Tapping Screw | 8 | |
| 9 | #8x5/8 Hex Washer Head Screw | 38 | |
| 10 | #12 1" Hex Washer Head Screw | 4 | |

NOTES:

1. INSTALLATION TO BE COMPLETED PER MANUFACTURER'S SPECIFICATION.
2. THIS DRAWING IS PROVIDED FOR PLANNING PURPOSES. REFER TO MANUFACTURER'S INSTALLATIONS FOR CONSTRUCTION DETAILS.
3. REFER TO MANUFACTURER'S WEBSITE FOR PRODUCT INFORMATION.
4. DRAWING NOT TO SCALE.

TREX HORIZONS FENCING EXPLODED VIEW

160 EXETER DR, WINCHESTER, VA 22603
1-800-BUY-TREX / WWW.TREXFENCING.COM