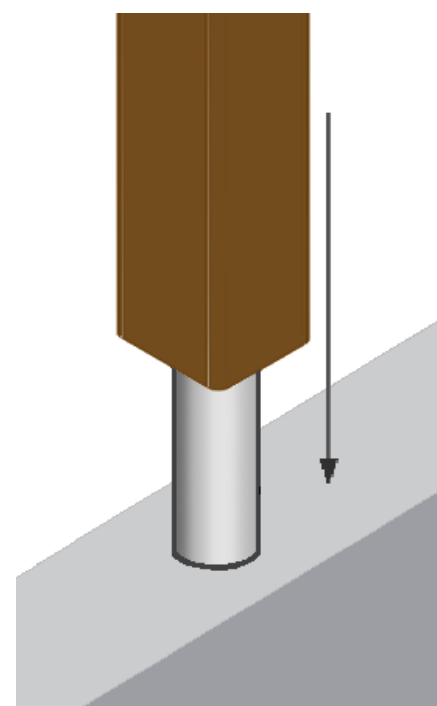


**Recommendation:**

Min. Pipe Size: 30" 2 3/8" Schedule 20, Galvanized

1. Set pipe in wall during construction, or, if wall already exists, drill 3" wide hole to recommended min. depth of 8". Use non-shrinking grout to fill hole around pipe for existing wall scenario.
2. Slide Trex post over pipe.
3. Attach Trex post bracket to Trex post.
4. Pour concrete into cavity of Trex post to top of pipe. Be sure concrete is not too wet or it will seep out under Trex post. (Tip: If concrete is already in Trex post cavity, fasten bottom bracket with concrete screws.)
5. Let concrete set before building fence.

Whenever a pipe is installed, it should be embedded in a manner to ensure it will be secure from movement. Evaluate your installation environment to determine beforehand if the wall is sufficiently strong to support the weight of the fence and the force of wind. The embedded pipe method is offered as a suggestion for securing a fence on top of a wall and is not part of the standard installation process. Embedded pipes are not Trex products and are not covered under warranty. Engineering may be necessary to determine if the embedded pipe will perform properly for applications such as high wind areas, walls less than 8" wide and that do not have a footer, for gates, or fences taller than 6'.



For additional questions about this aftermarket product, contact the Trex Fencing distributors.