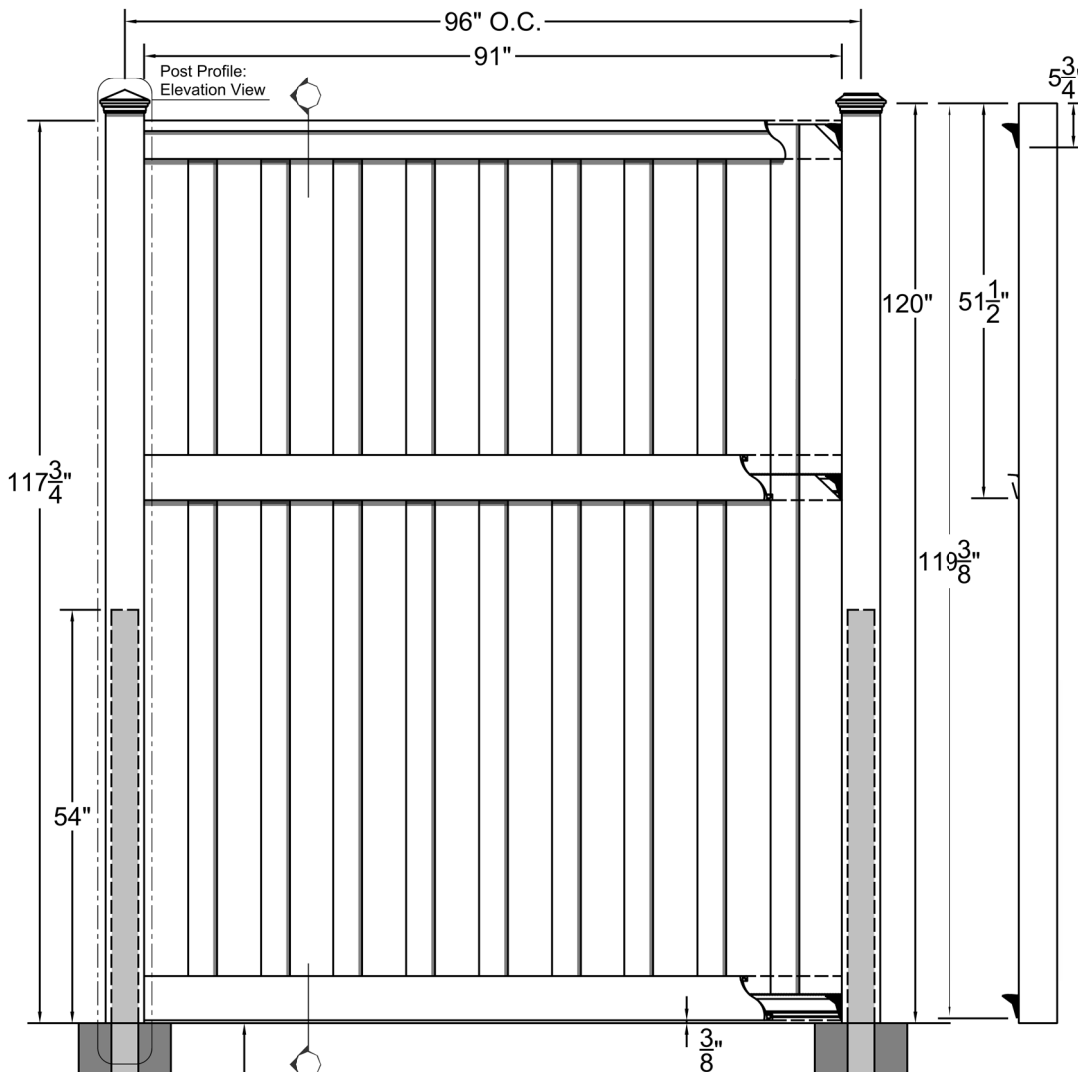


Trex® Seclusions®

COMPOSITE FENCING SYSTEM

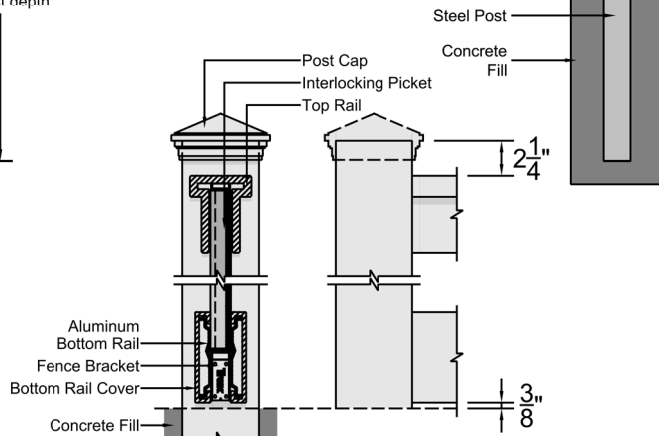
ARCHITECTURAL DRAWING:
TREX SECLUSIONS FENCING
10' TALL x 8' WIDE



COMPONENTS	QUANTITY	LENGTH
Post Cap: Pyramid, Flat, or Crown	1	
5" x 5" Post	1	144" *
3.5"x3.5"x3/16 Galv. Steel Post	1	108"
4" x 4.9" Top Rail	1	91" *
1"x5.75" Interlocking Picket	19	67" *
1"x5.75" Interlocking Picket (Cut to 45 3/8")	9.5	91" *
1" x 5.75" Bottom Rail Cover	4	91" *
Aluminum Bottom Rail	2	90 1/2"
Fence Bracket	6	
1 5/8" Wood Screw	24	
3/4" x #8 Wood Screw	8	
1" Wood Screw	4	
1 1/2" x #14 Self-tapping Screw	2	

* Length may vary

54" Typ.
Consult local conditions, codes, and standard building practices for post depth



Post Profile: Cut View / Elevation View

NOTES:

1. INSTALLATION TO BE COMPLETED PER MANUFACTURER'S SPECIFICATION.
2. THIS DRAWING IS PROVIDED FOR PLANNING PURPOSES. REFER TO MANUFACTURER'S INSTALLATIONS FOR CONSTRUCTION DETAILS.
3. REFER TO MANUFACTURER'S WEBSITE FOR PRODUCT INFORMATION.
4. DRAWING NOT TO SCALE.

160 EXETER DR., WINCHESTER VA, 22603
WWW.TREXFENCING.COM

Trex®, the Trex® logo, and Trex Seclusions® are either federally registered trademarks, trademarks or trade dress of Trex Company, Inc., Winchester Virginia or its licensees. Copyright © 2019 RLA Designs. All rights reserved.